

2024

EHD HighRes Quarz UV Lenses



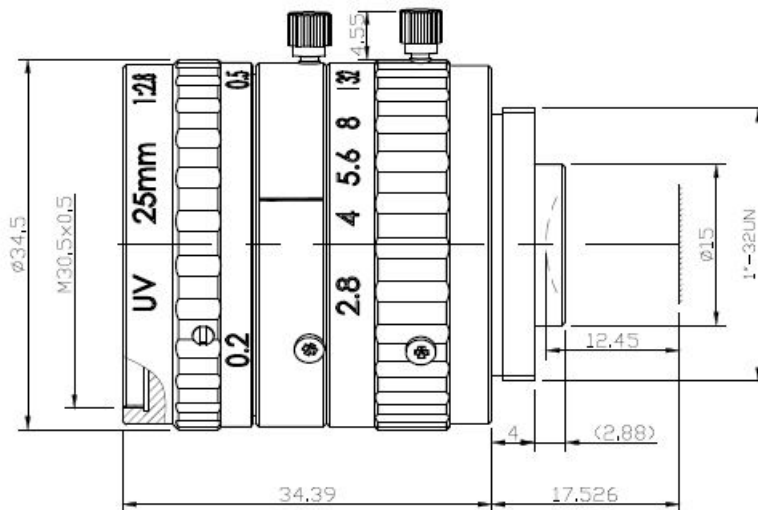
EHD 2MP UV Lenses

Fixed Focal Length High Resolution Quarz Lenses

EHD-AZ2528UV, 1.2", f=25mm/F2.8 UV Lens

No.	Name	Specification	No.	Name	Specification
1	Model	EHD-AZ2528UV	14	F.o.V. 2/3"	D24.81, H20, V15.1mm
2	Code	3.A01.010252801-A	15	Mount	C
3	Format	1.2"	16	Working Distance	0.2m – inf.
4	Resolution	2MP	17	Optimum WD	Infinity
5	Focal Length	25mm	18	Coating	200nm – 1000nm
6	Back Focus	12.45mm	19	Dimension	D=34.5mm,l=34.39mm
7	F No.	2.8	20	Weight	68.2g
8	Iris Type	Manual	21	Operating Temp.	-20°C to +65°C
9	Distortion	< -0.06%	22	Lens Construction	8-8
10	Lens eff. Diam.	F 13.19mm, B 7.32mm	23	CRA	16.87°
11	Relative Illumin.	71%	24	Filter Thread	M30.5 x 0.5
12	TTL	43.29			
13	Wavelength	200 – 1000nm			

Dimensions

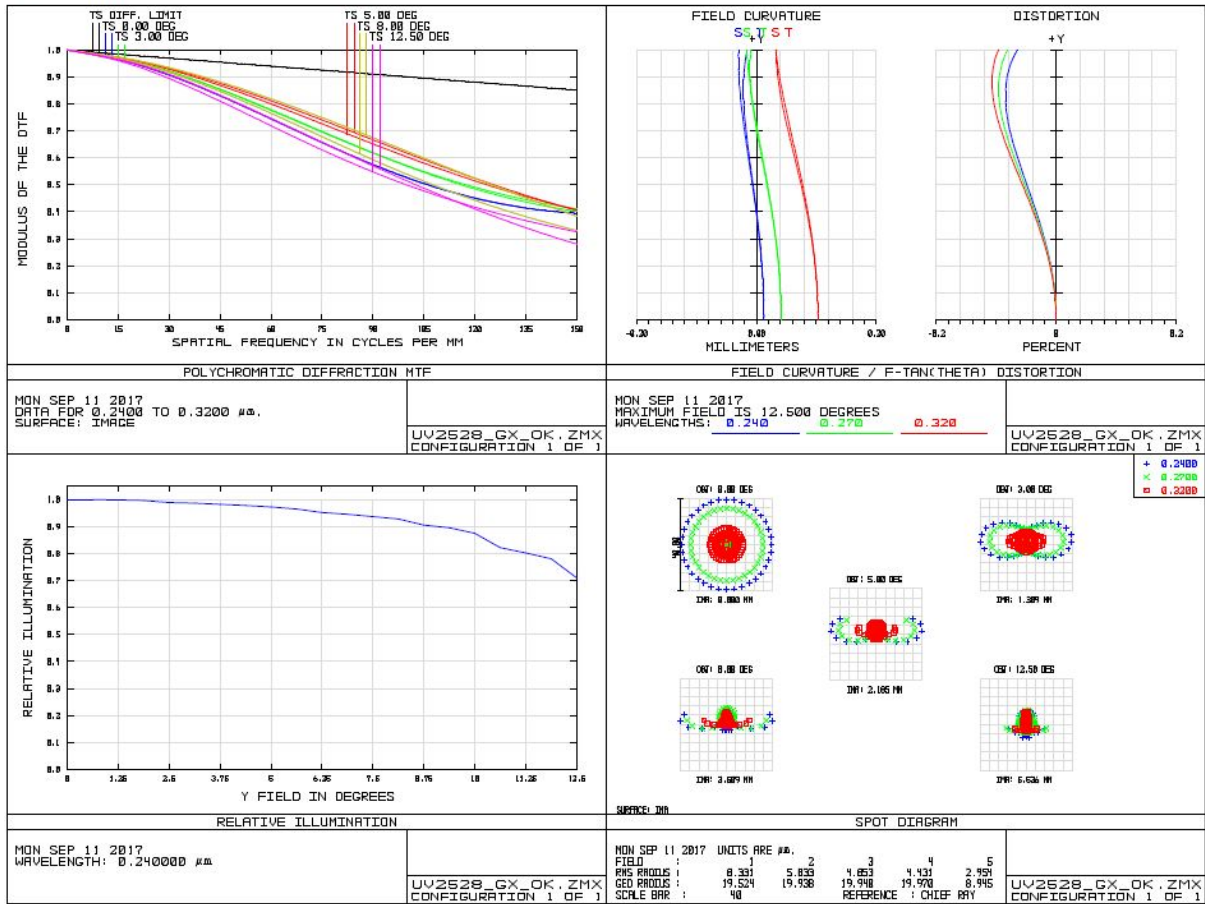


Bandpassfilter:

- U340-30
- BP324-30
- BP340-30
- BP365-30

Optical Design Report

WD= ∞ mm



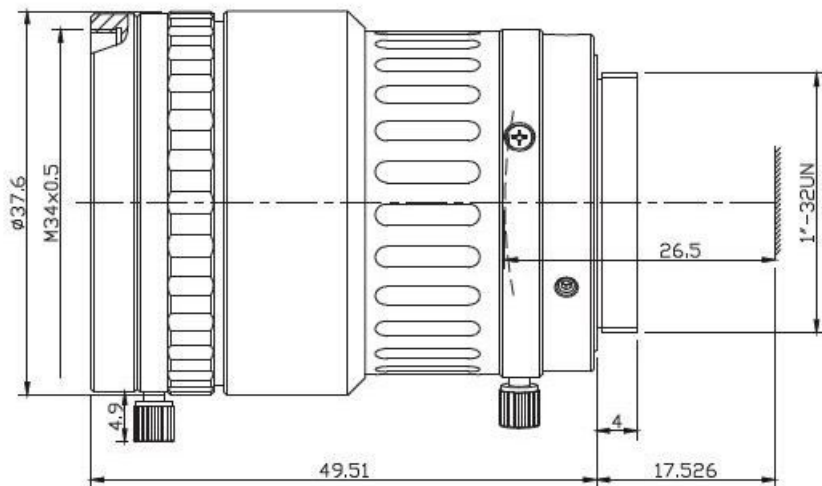
Produkt Image



EHD-AZ5030UV, 2/3", f=50mm/F3.0 UV Lens

No.	Name	Specification	No.	Name	Specification
1	Model	EHD-AZ5030UV	10	F.o.V 2/3"	D12.55, H10.06, V7.55
2	Format	2/3"	11	Working Distance	0.3m – inf.
3	Resolution	100lp/mm (2MP)	12	Wavelength	200 – 1000nm
4	Mount	C	13	Filter Thread	M34 x 0.5
5	F No.	F3.0 – 32	14	Dimension	D=37.6mm x l=49.51mm
6	Back Focus	26.55mm	15	Weight	110g
7	Iris Type	Manual			
8	EFL	50mm			
9	Distortion	< 0.1%			

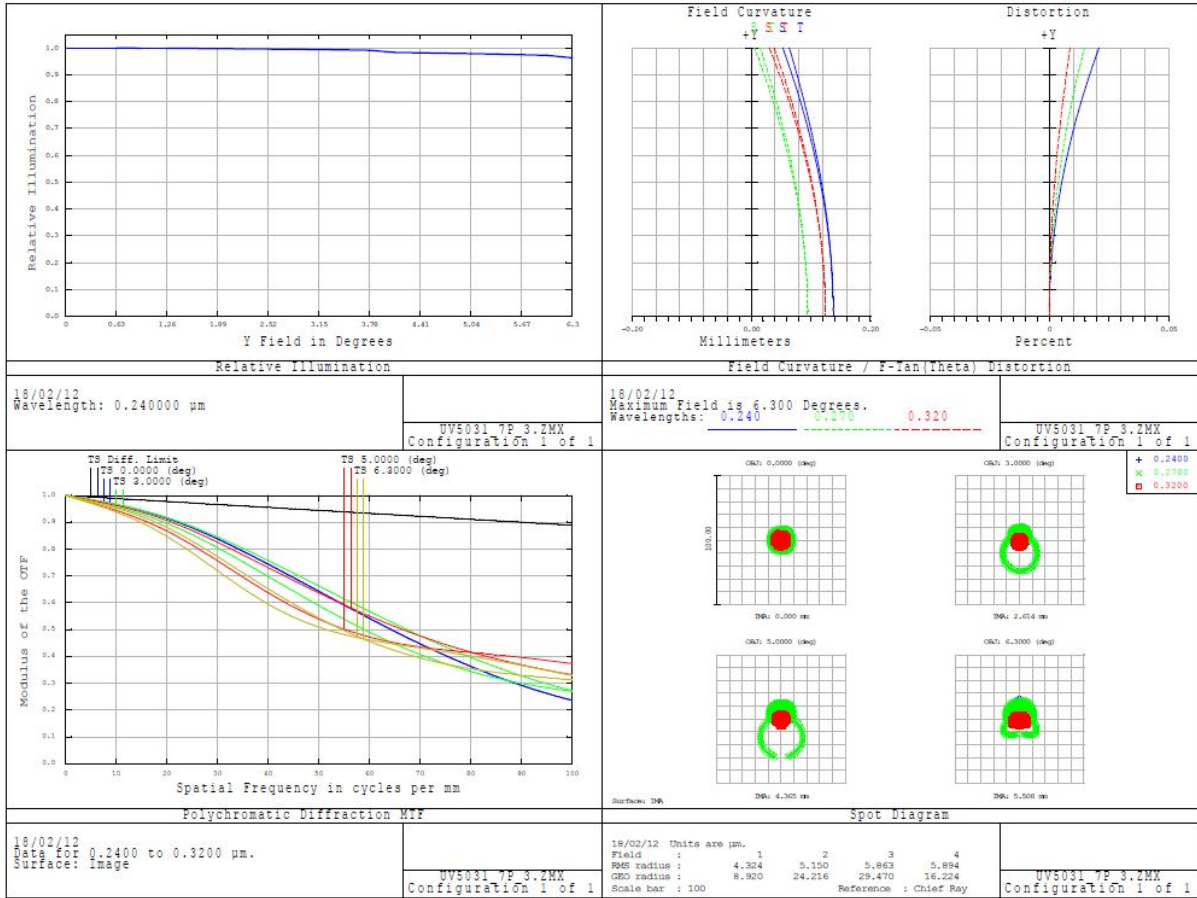
Dimensions



Bandpassfilter:

- U340
- BP324
- BP340
- BP365

Optical Design Report



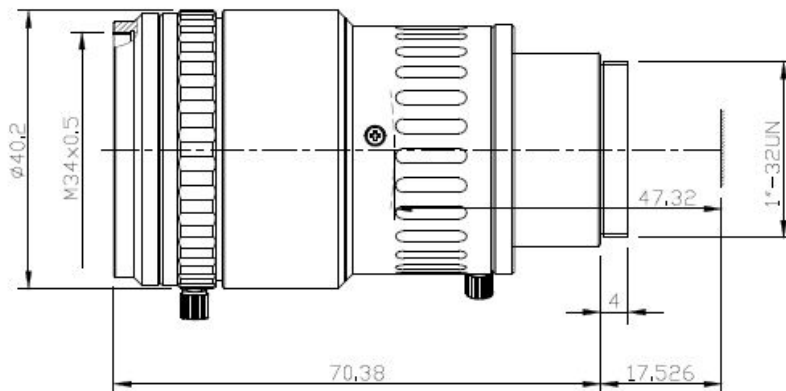
Produkt Image



EHD-AZ7538UV, 2/3", f=75mm/F3.8 UV Lens

No.	Name	Specification	No.	Name	Specification
1	Model	EHD-AZ7538UV	14	F.o.V. 2/3"	D8.36, H6.7, V5.06
2	Code	3.A01.010753801	15	Mount	C
3	Format	2/3"	16	Working Distance	0.5m – inf.
4	Resolution	2MP	17	Optimum WD	Infinity
5	Focal Length	75mm	18	Coating	200nm – 1000nm
6	Back Focus	47.32mm	19	Dimension	D=40.2mm, l=70.38mm
7	F No.	3.8	20	Weight	114g
8	Iris Type	Manual	21	Operating Temp.	-20°C to +65°C
9	Distortion	< -0.1%	22	Lens Construction	6-6
10	Lens eff. Diam.	F 22.18mm, B 14.96mm	23	CRA	5.06°
11	Relative Illumin.	99%	24	Filter Thread	M34 x 0.5
12	TTL	84.82			
13	Wavelength	200 – 1000nm			

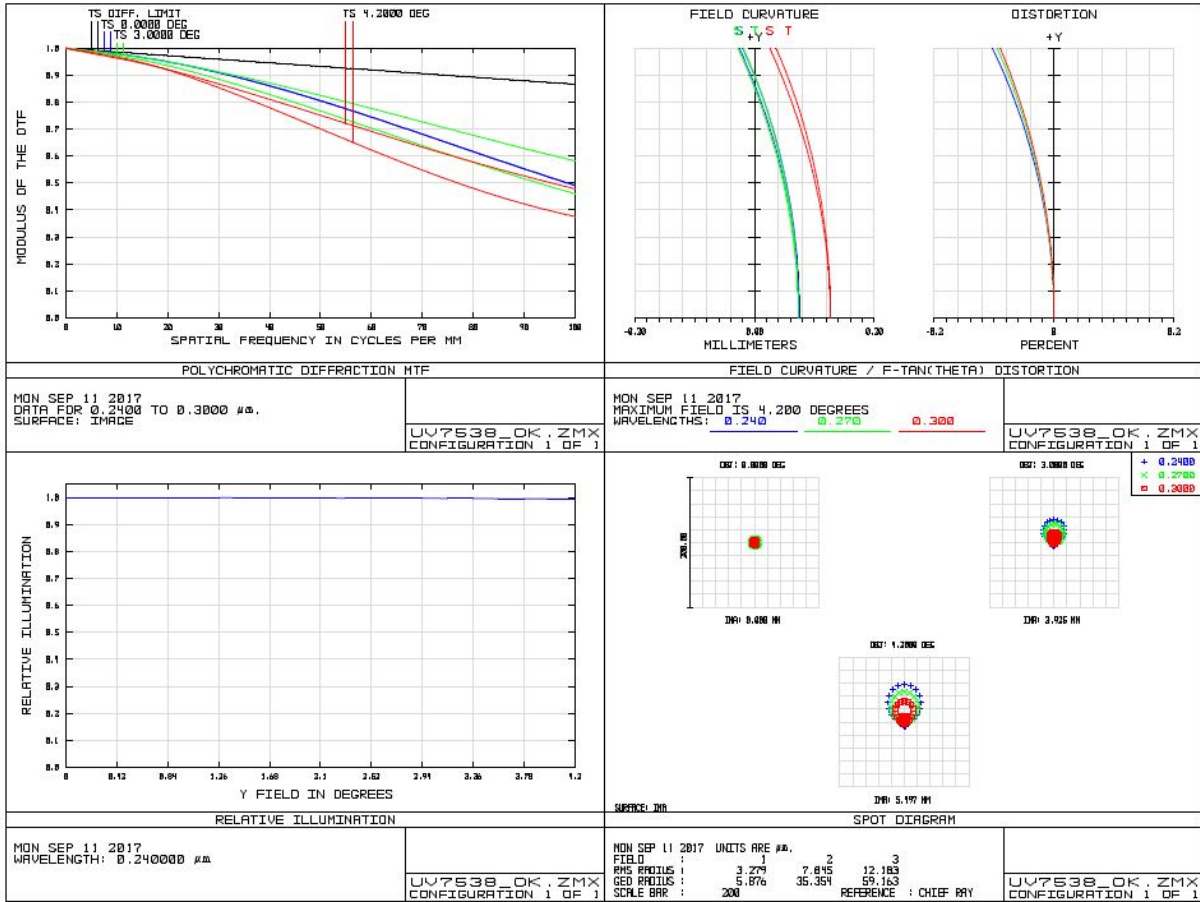
Dimensions



Bandpassfilter:

- U340
- BP324
- BP340
- BP365

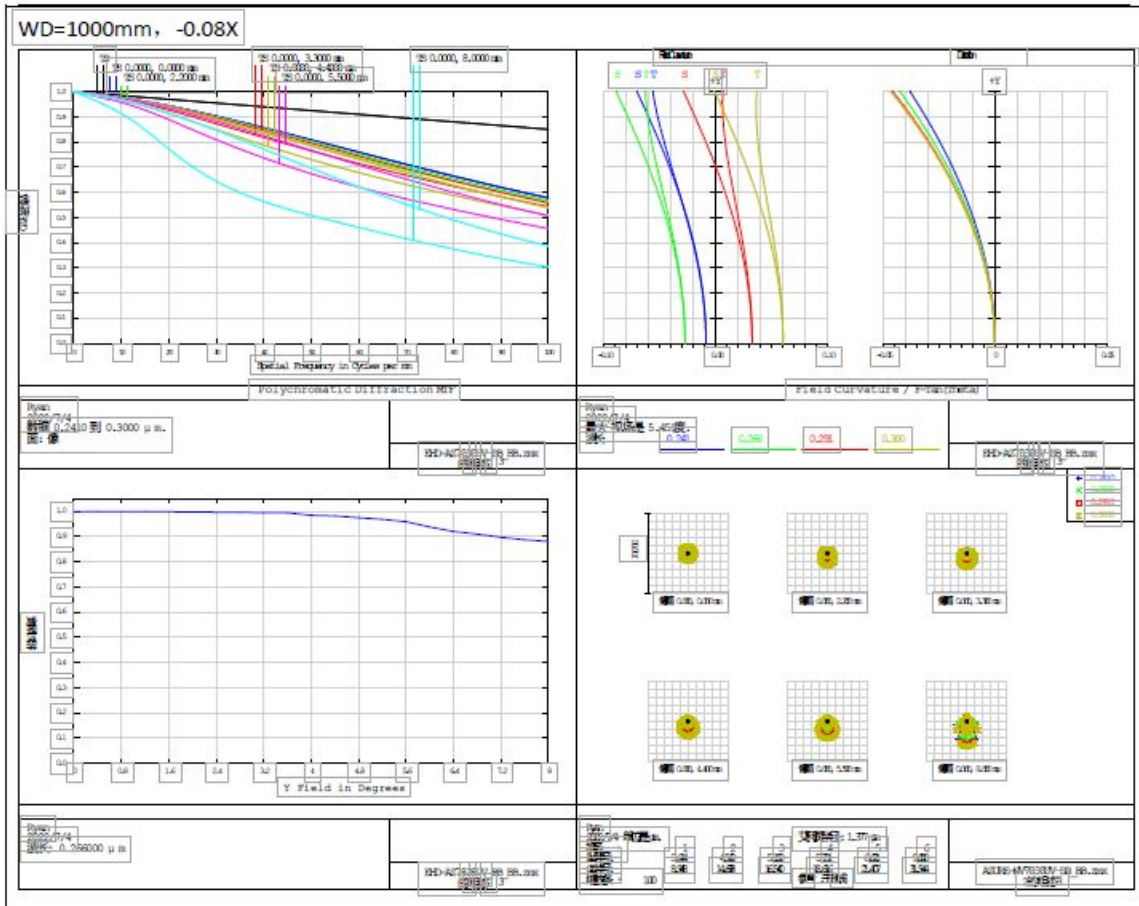
Optical Design Report



Produkt Image



Optical Design Report



Product Image

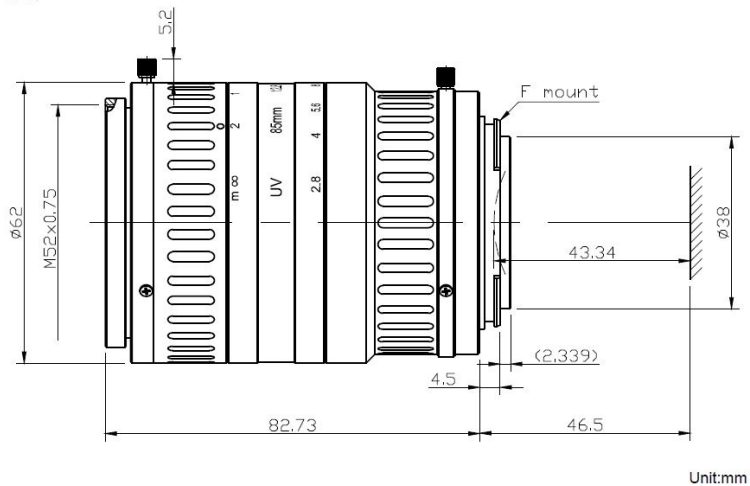


EHD-AZ8525UV, 1.2" – 4/3", f=85mm/F2.5 F-Mount UV Lens

No.	Name	Specification	No.	Name	Specification
1	Model	EHD-AZ8525UV	10	F.o.V 1"	D9.04, H7.25, V5.44
2	Format	25mm	11	Working Distance	0.4m – inf.
3	Focal length	85mm	12	Resolution	65lp/mm
4	Mount	F	13	Wavelength	200 – 1000nm
5	F No.	F2.8 – 32	14	Filter Thread	M52 x 0.75
6	Back Focus	43.34mm	15	Dimension	D=62mm x l=82.73mm
7	Iris Type	Manual	16	Weight	-
8	EFL	-			
9	Distortion	< 1.45%			

Dimensions

Size:



Produkt Image



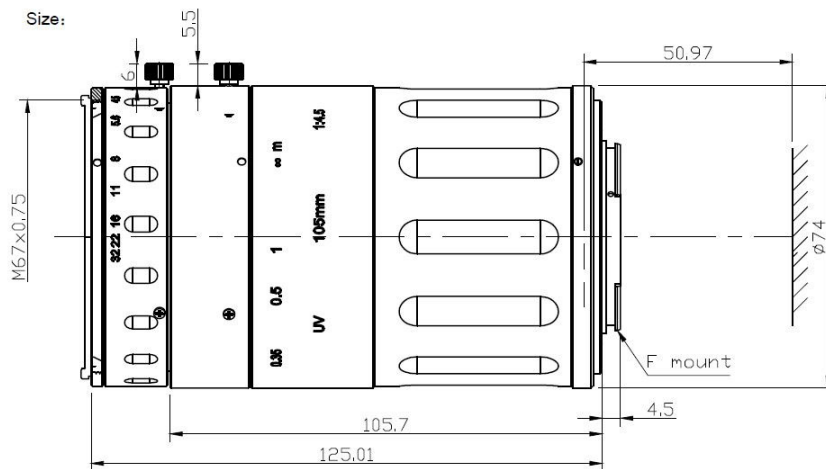
- Support image circle up to 25mm
- Nikon F-Mount
- Minimum working distance 400mm

Bandpassfilter 324nm, 340nm, 365nm available.

EHD-AZ10545UV, 2", f=105mm/F4.5 F-Mount UV Lens

No.	Name	Specification	No.	Name	Specification
1	Model	EHD-AZ10545UV	10	F.o.V 45mm	D12.98, H10.47, V7.88
2	Format	45mm	11	Working Distance	0.27m – inf.
3	Focal length	105mm	12	Resolution	50lp/mm
4	Mount	F	13	Wavelength	200 – 1000nm
5	F No.	F4.5 – 32	14	Filter Thread	M67 x 0.75
6	Back Focus	50.97mm	15	Dimension	D=74mm x l=125.01mm
7	Iris Type	Manual	16	Weight	1.15kg
8	EFL	-			
9	Distortion	< 1.45%			

Dimensions



Bandpassfilter:

- BP324-67
- BP340-67
- BP365-67

Produkt Image



- **Support image circle up to 45mm**
- **Nikon F-Mount**
- **Magnification Range 0-0.6X**
- **Relative illumination >80%**
- **Minimum working distance 270mm**

- **Inspection of labels, bank notes and stamps**
- **Combustion study**
- **Electric discharge study**
- **Forensic study**