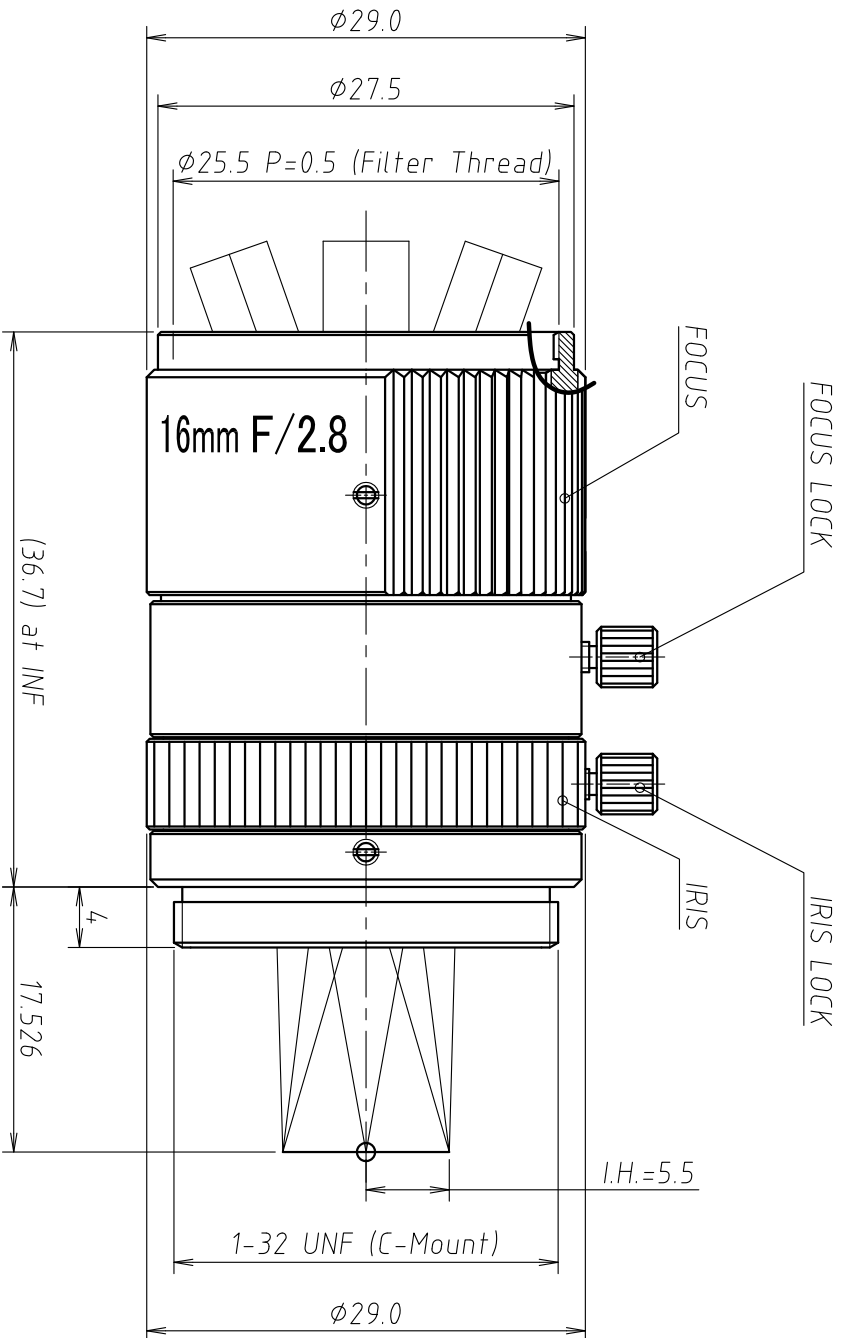


Lens Specification	
Focal length	16.01mm (at $\lambda = 250nm$)
Back focal length	16.79 mm
Mechanical back	13.53 mm
Aperture ratio	F/2.8 ~ F/16
Image size	2/3" (6.6mm x 8.8mm)
Magnification	-2.3 %
Distortion	-2.3 %
Angle of view at INF.	
Vertical	23.5 °
Horizontal	31.2 °
Diagonal	38.7 °
Resolution	
Center	
Corner	
Pupil positions	
Entrance pupil	9.68 mm (Front lens)
Exit pupil	-39.21 mm (Image plane)
Principal points	
Object space	19.15 mm (Front lens)
Image space	-16.01 mm (Image plane) ($\lambda = 250nm$)
Coating	
All surfaces are antireflection coated. MgF2 single coated.	

Note:
 1. Mini. Working Dist.
 42.1mm (at $\lambda = 250nm$)
 63.7mm (at $\lambda = 300nm$)
 83.5mm (at $\lambda = 350nm$)
 97.8mm (at $\lambda = 390nm$)



△		TITLE	16mm F/2.8 UV LENS	DRAWN	M.M.
△		P/NO.	UV1628CM	CHECKED	H.K.
△	07/28/2014	Mfg. NO.	VH4.31A-Y01-0	SHEET	1 OF 1
		UOI	UV1628CM	REV	A

