

1" Megapixel Anti-Vibration and Shock
NEW Ruggedized Megapixel Lenses
HC-V SERIES

High Resolution lens

Kowa's new HC-V series is made for use in high vibration and high shock environments. With a design based on Kowa's standard 1" HC lenses, this new ruggedized megapixel lens series is ideal for applications that require increased durability and high optical performance.



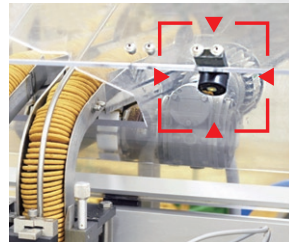
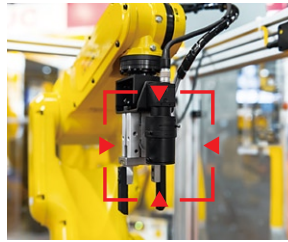
Features

- For megapixel applications requiring a sensor size of 1" (Φ16mm).
- Unique mechanical design to guard against strong vibration and shock.
- Two way reversible nut is utilized to tightly lock the focus adjustment ring in place.
- All internal glass elements are glued to the inside housing to improve stability.
- Interchangeable iris plates are used to select the F-stop.

HC-V SERIES

I. Background

Lenses used in vision systems for manufacturing, quality inspection, packaging, and robotics applications are often placed in environments that directly or indirectly produce strong vibration and shock. Due to an increasing demand for more durable high quality optics, Kowa has developed a brand new megapixel anti-shock and vibration HC-V lens series designed for ruggedized use.



II. Specifications

1. The conventional locking screw system for fixing adjustable iris blades has been replaced with a system that utilizes robust interchangeable iris plates to set the F-Stop.

Variable step up rings

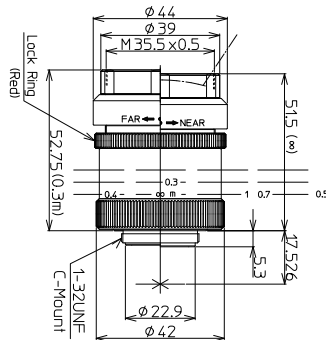


2. The conventional locking screw system for fixing the focus ring position has been replaced with a system that utilizes a two way reversible nut to lock in the focus position.



3. All internal lens elements are glued together for maximum stability.

Two way Reversible nut



NEW
LM12HC-V

1" **2/3"** **1/1.8"** **12.5mm** **FIXED** **MEGA** **C-mt** **METAL**
Fixed Focal Megapixel C-mount Metal Body

Model	LM8HC-V	LM12HC-V	LM16HC-V	LM25HC-V	LM35HC-V	LM50HC-V
Focal Length (mm)	8	12.5	16	25	35	50
Image Size (mm)	12.8×9.6 (Φ16)	12.8×9.6 (Φ16)	12.8×9.6 (Φ16)	12.8×9.6 (Φ16)	12.8×9.6 (Φ16)	12.8×9.6 (Φ16)
Iris Range (F-stop)	F1.4/F2.8/F4/F8	F1.4/F2.8/F4/F8	F1.4/F2.8/F4/F8	F1.4/F2.8/F4/F8	F1.4/F2.8/F4/F8	F1.4/F2.8/F4/F8
Focusing Range (m)	0.1~∞	0.3~∞	0.3~∞	0.3~∞	0.3~∞	0.5~∞
Control	Iris: Manual Focus: Manual	Manual	Manual	Manual	Manual	Manual
Shooting Range at M.O.D. (mm)	196.0(H)×143.0(V)	330.6(H)×243.5(V)	251.5(H)×186.2(V)	160.7(H)×119.2(V)	110.1(H)×82.0(V)	121.8(H)×91.3(V)
Angle of View	1 Inch: 79.7×63.0	55.6×42.5	44.3×33.6	29.3×22.0	20.9×15.8	14.5×10.8
View	2/3 Inch: 58.3×44.7	39.1×29.5	30.8×23.2	20.2×15.1	14.4×10.8	10.0×7.5
(Degrees)	1/1.8 Inch: 48.5×36.9	32.1×24.2	25.3×19.0	16.5×12.4	11.8×8.8	8.2×6.2
TV Distortion (%)	-1.2	-1.58	-1.0	-1.0	-0.5	0.05
Mount	C-mount	C-mount	C-mount	C-mount	C-mount	C-mount
Filter Thread (mm)	M55×P0.75	M35.5×P0.5	M35.5×P0.5	M35.5×P0.5	M35.5×P0.5	M40.5×P0.5
Size (mm)	Φ58×58	Φ44×51.5	Φ44×53	Φ44×43	Φ46×44.1	Φ50×48
Temperature Range	-10°C~+50°C	-10°C~+50°C	-10°C~+50°C	-10°C~+50°C	-10°C~+50°C	-10°C~+50°C

† Images may differ from the actual product.



Kowa Optical Products Co., Ltd.

Kowa American Corporation

Kowa Optimed Deutschland GmbH
EHD imaging GmbH, Zum Rennplatz 15, D-49401 Damme
Tel: +49-5491-2090, email: info@ehdimging.de

Note: Specifications and availability are subject to change without notice. † Images may differ from the actual product.