

UV



Nikon PF10545MF-UV chromatically corrected from 220nm to 900nm

Model	PF10545MF-UV
Focal length	105.2mm
F Number (∞)	F4.5
NA *1	0.037
Magnification scale	-
Magnification range	∞ - -0.5x
Reference wavelength	546.07nm (e-line)
Wavelength range	220 - 900nm
Field angle *1	23.3°
Image size	43.2mm ϕ
Object size	86.4mm ϕ (-0.5x)
Distortion *3	-0.25% - -0.07%
Relative illumination *1 *3	51.4% - 72.4%
Aperture scale	4.5 5.6 8 11 16 22 32
Object-to-image distance	∞ - 481.2mm
Working distance	∞ - 273.9mm
Mount size	F Mount
Flange-to-image distance	46.5mm
Attachment size	M52 (P=0.75)
Diameter/length *2	68.5mm ϕ ×108mm
Weight	Approximately 515g

*1 Data: Magnification at 0.5x

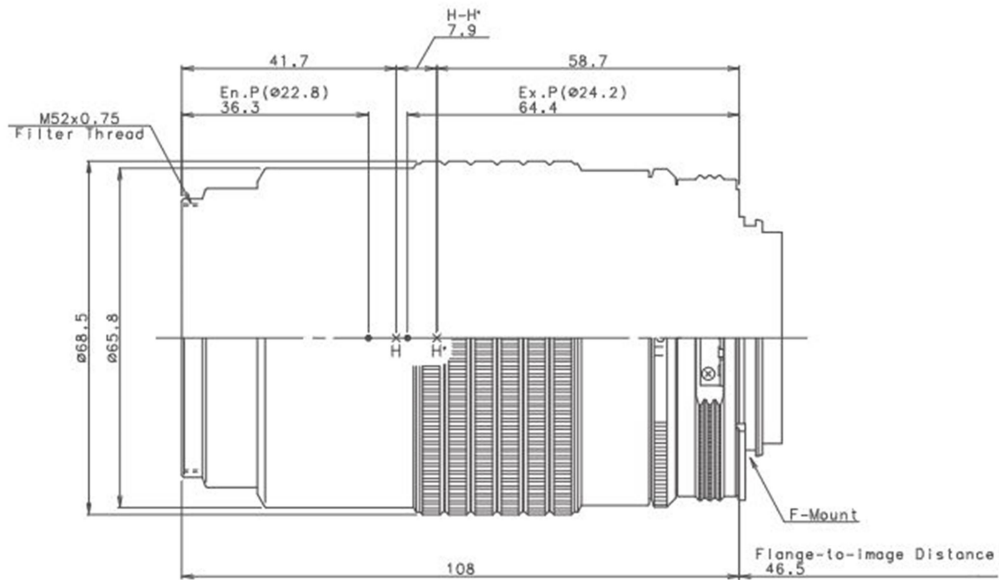
*2 Dimension excludes protrusion of screws or other convex parts.

*3 Maximum image height(Y'=21.8mm) at F4.5.

UV



Dimensions



UV-105mm F4.5
PF10545MF-UV

Picture

